

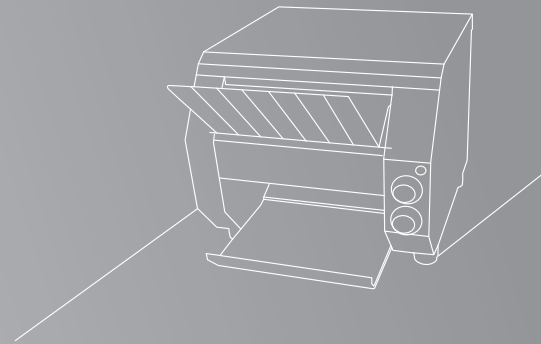
Toast PRO



Conveyor Toaster



Toast PRO



Toast-Pro Conveyor Toaster is designed for mass toasting and the capacity is up to 300 slices per hour. Adjustable conveyor speed assure the perfect colour and texture of the bread, bagels, buns and muffins etc. Compact design only requires small counter space and it is suitable for self-serving counters.



1. 1.7-level power control and stand-by mode selection switch - Save energy during non-peak hour



2. Equipped with loading rack - Continuously feeding of bread



3. Removable crumb tray for easy cleaning

Other Features

- Durable heating elements for consistent heat transfer
- V-shaped redirect heat reflectors for evenly heat distribution
- 79mm chamber opening for broader variety of bread products
- Front or rear crumb tray is available
- Heavy duty lubricated motor (50/60Hz) ensures reliability & durability

Model	Dimension (mm)			Voltage	Loading (kW)	Net Weight (kg)	Gross Weight (kg)
	W	D	H				
TT-1	389	418	373	220 - 240V/SPN	1.94 - 2.3	15	17

All specifications are subjected to change without prior notice

YPT 建宏國際有限公司
YPT International Ltd.



MANAGEMENT OFFICE & SHOWROOM |
1/F., NEW CITY CENTRE, 2 LEI YUE MUN ROAD,
KWUN TONG, KOWLOON, HONG KONG
TEL | 852-2723 2168 FAX | 852-2739 7576
WEBSITE | www.ypt.com.hk
E-MAIL | ypt@techwin.com.hk